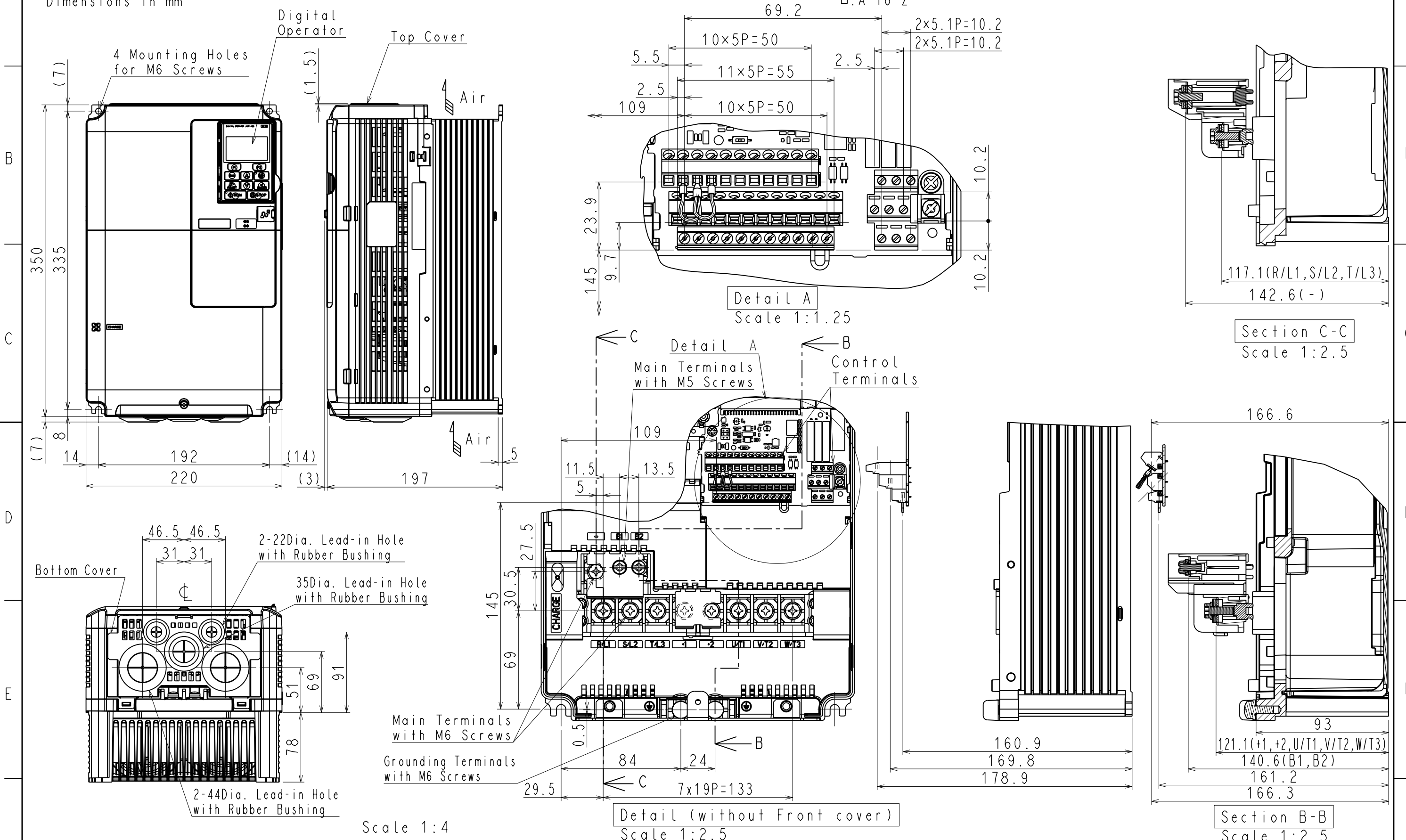


DWG. NO. EZZ902063-1/1

Model No.	Max Appli. Motor (kW)		Terminal Symbol			Cooling Fan	Mass (kg)
	Normal Duty	Heavy Duty	INPUT OUTPUT(MOTOR)				
CIMR-LU4□0039D	-	18.5	R/L1 S/L2 T/L3	U/T1 V/T2 W/T3	2	8.3	
CIMR-LU5□0022D	-	15	R/L1 S/L2 T/L3	U/T1 V/T2 W/T3	2	8.3	
CIMR-LU5□0027D	-	18.5	R/L1 S/L2 T/L3	U/T1 V/T2 W/T3	2	8.3	

Third Angle Projection
Dimensions in mm



REVISIONS	 SCALE - : -	 YASKAWA	DRAW. Nov. 21. 2013 M. Sameshima	TITLE L1000A OPEN CHASSIS TYPE	DWG. NO. EZZ902063	1/1	REV.	
			CHECK					M. Kojyo
			APPR.					M. Kojyo

DIMENSION DIAGRAM